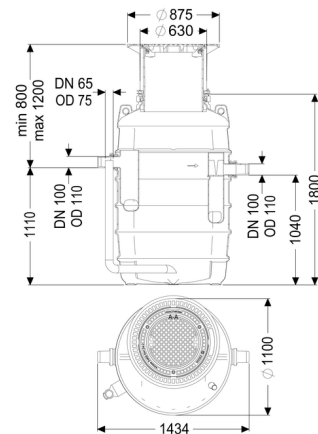
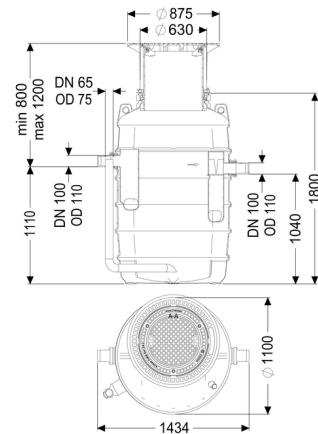


Grease separator EasyClean ground NS 4, Direct, 800-1200 mm, D, right



Article information

Item no.: 93004.120D-DR

GTIN: 4026092095003

Discount group: 03

Description

The separator for greasy wastewater is suitable for installation in the ground and comes without metallic components in the tank. The collecting tank made of permanently resistant polymer (PE) is equipped with an integrated sludge trap and has a rounded base for fast and clean disposal. Access for cleaning and maintenance work is possible via one or several service access covers.

A direct disposal pipe socket is available for odour-reduced manual disposal.

A load distribution slab must be installed on site for load class D. The reinforcement drawings are available from KESSEL AG.

20 year polyethylene warranty.
Installation situation:

underground installation

Version:

| | |
|------------------------------------|---|
| Type of disposal: | manual |
| Disposal system: | Disposal pipe |
| Disposal variant: | Direct |
| Nominal size (NS): | 4 |
| SonicControl: | optional |
| Load-bearing capacity (DIN 19901): | E4 |
| Note on installation depth: | Installation in the ground, frost-free depth 1200 mm |
| Delivery state: | Installation-ready (connection parts must be connected on site) |

General characteristics:

| | |
|-----------|----|
| Material: | PE |
|-----------|----|

Dimensions:

| | |
|-----------|----------|
| Length: | 1,380 mm |
| Width: | 1,106 mm |
| Diameter: | 1,106 mm |

Tank:

| | |
|--|---|
| Inlet nominal size (DN): | 100 |
| Outlet nominal size (DN): | 100 |
| Distance pipe bottom inlet to tank bottom: | 1,110 mm |
| Distance pipe bottom outlet to tank bottom: | 1,040 mm |
| Installation depth: | 800 - 1,200 mm |
| Groundwater resistant from lower edge of base section: | 500 mm |
| Clear width of entry (LW): | 600 mm |
| Connection inlet/outlet sockets: | PE-HD pipes in accordance with DIN 19537, PVC-KG pipes in accordance with DIN 19534, PP or AS |

Coverage features:

| | |
|------------------|---|
| Type of cover: | Cover plate |
| Cover material: | Grey iron |
| Colour of cover: | black |
| Load class: | D 400 (EN 124) |
| Tightness: | odour-tight and surface water resistant |

Wastewater contents:

| | |
|-----------------------------|-------|
| Separator contents: | 370 l |
| Contents of sludge trap: | 400 l |
| Storage quantity of grease: | 160 l |