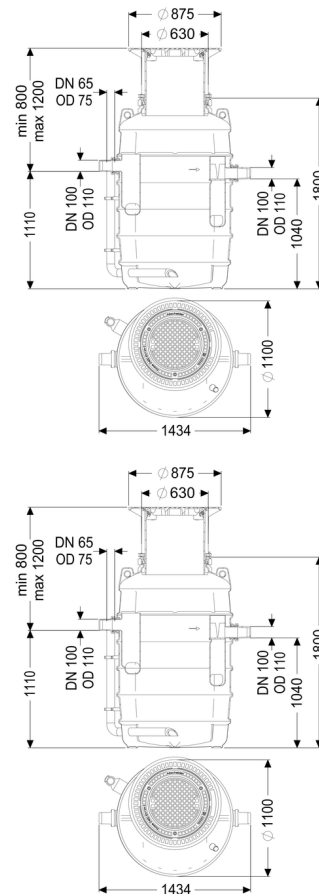


Grease separator EasyClean ground NS 4, Direct, 800-1200 mm, D, left



Article information

Item no.: 93004.120D-DL

GTIN: 4026092095010

Discount group: 03

Description

The separator for greasy wastewater is suitable for installation in the ground and comes without metallic components in the tank. The collecting tank made of permanently resistant polymer (PE) is equipped with an integrated sludge trap and has a rounded base for fast and clean disposal. Access for cleaning and maintenance work is possible via one or several service access covers.

A direct disposal pipe socket is available for odour-reduced manual disposal.

A load distribution slab must be installed on site for load class D. The reinforcement drawings are available from KESSEL AG.

20 year polyethylene warranty.

Installation situation:

underground installation

Version:

Type of disposal:

manual

Disposal system:

Disposal pipe

Disposal variant:

Direct

Nominal size (NS):

4

SonicControl:

optional

Load-bearing capacity (DIN 19901):

E4

Note on installation depth:

Installation in the ground, frost-free depth 1200 mm

Delivery state:

Installation-ready (connection parts must be connected on site)

General characteristics:

Material:

PE

Dimensions:

Length:

1,380 mm

Width:

1,106 mm

Diameter:

1,106 mm

Tank:

Inlet nominal size (DN):

100

Outlet nominal size (DN):

100

Distance pipe bottom inlet to tank bottom:

1,110 mm

Distance pipe bottom outlet to tank bottom:

1,040 mm

Installation depth:

800 - 1,200 mm

Groundwater resistant from lower edge of base section:

500 mm

Clear width of entry (LW):

600 mm

Connection inlet/outlet sockets:

PE-HD pipes in accordance with DIN 19537, PVC-KG pipes in accordance with DIN 19534, PP or AS

Coverage features:

Type of cover:

Cover plate

Cover material:

Grey iron

Colour of cover:

black

Load class:

D 400 (EN 124)

Tightness:

odour-tight and surface water resistant

Wastewater contents:

Separator contents:	370 l
Contents of sludge trap:	400 l
Storage quantity of grease:	160 l